



UFOLED High Bay LED Lights

Models included:

60 Watt

100 Watt

140 Watt

150 Watt

300 Watt

User Manual, Technical Data & Installation Guide

U-Tron (Beijing) Electronics Co. Ltd.

5/12/2014

UFOLED

www.u-tron.com
U-Tron[®]



Table of Contents

UFOLED COB 60 High Bay..... 6

UFOLED COB 60 Product Technical Data 7

Technical Drawing 8

US and Canada Wiring EU Wiring 9

UFOLED COB 60 Light Distribution 10

Hanging Hook Options 11

Assembly Instructions for UFOLED COB 60 12

Repair and Assembly Instructions..... 13

UFOLED 100 SN High Bay..... 15

UFOLED 100 SN Product Technical Data 16

Technical Drawing 17

US and Canada Wiring EU Wiring 18

UFOLED 100 SN Light Distribution 19

Hanging Hook Options 20

Assembly Instructions for UFOLED 100 High Bay 21

Repair and Assembly Instructions..... 22

UFOLED 140LN High Bay..... 24

UFOLED 140 LN Product Technical Data 25

Technical Drawing 26

US and Canada Wiring EU Wiring 27

UFOLED 140 LN Light Distribution 28

Hanging Hook Options 29

Assembly Instructions for UFOLED 140 LN 30

Preparing your existing lamp. 31





Attaching your new UFOLED lamp to the Holophane Glass Dome. 32

Installation of standard aluminum domes to the UFOLED. 33

Repair and Assembly Instructions 34

UFOLED 150 SN High Bay 36

UFOLED 150 SN Product Technical Data 37

Technical Drawing 38

US and Canada Wiring EU Wiring 39

UFOLED 150 SN Light Distribution 40

Hanging Hook Options 41

Assembly Instructions for UFOLED 150 SN High Bay 42

Repair and Assembly Instructions 43

UFOLED 200 SN High Bay 45

UFOLED 200 SN Product Technical Data 46

Technical Drawing 47

US and Canada Wiring EU Wiring 48

UFOLED 200 SN Light Distribution 49

Hanging Hook Options 50

Assembly Instructions for UFOLED 100 High Bay 51

Repair and Assembly Instructions 52

UFOLED 300 LN High Bay 54

UFOLED 300 LN Product Technical Data 55

Technical Drawing 56

Wiring Instructions 57

Light Distribution 58

Hanging Hook Options 59

Assembly Instructions for UFOLED 300 60





Installation of aluminum domes to the UFOLED. 61

Repair and Assembly Instructions..... 62

Ordering Numbers 63

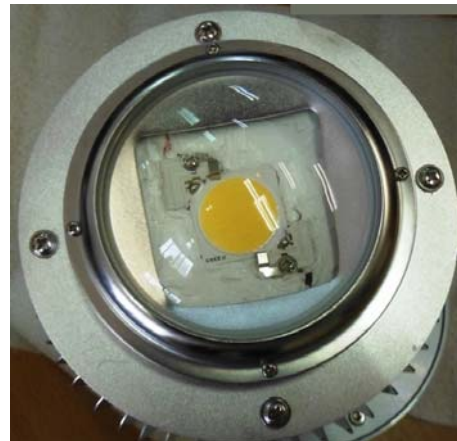
Warranty 64





UFOLED COB 60 High Bay

UFOLED COB 60 High Bay



The U-Tron UFOLED series High-Bay lights designed to replace the traditional factory, warehouses and sport arenas High Bay lights using HPS, HID and other decadent technologies. UFOLED light fixtures can fit in the existing same locations and produce the same light intensity and distribution so the customers can easily take the old one out and put in our UFOLED Bay Lights.

U-Tron's patented Long Neck (LN) design brings 3 advantages:

- 1) It can provide easy installations for many different domes and not put pressure on the Deon coolers.
 - 2) Provides better air flow.
 - 3) Provides Easy access to the Cable Gland
- UFOLED LN Highbays** can save you up to 70% of your electricity bill starting immediately.



UFOLED COB 60 Product Technical Data

General Information

Heat sink 6063-T5 aluminum alloy
 Life Span 50000hr

Product Dimensions (Complete Assembly)

Lamp Diameter: 490mm
 Lamp Height: 610mm

Light Characteristics

	Warm White	Natural White	Cool White
CCT Deg Kelvin	2700-3000	4000	5000-6000
Total Flux (Lm)	5,400	5,700	6,000
Efficacy (Lm/W)	90	95	100
Beam Angle	45,80,120	45,80 120	45,80,120

Ordering Information

Product Name UFOLED COB 60 High Bay
 Product Ordering #

CCT	Product Number
2700-3000K	6880-COB-WQ5060LNUNV-EB
4000K	6880-COB-NR4060LNUNV-EB
5000-6000K	6880-COB-CR5060LNUNV-EB

Electrical Characteristics

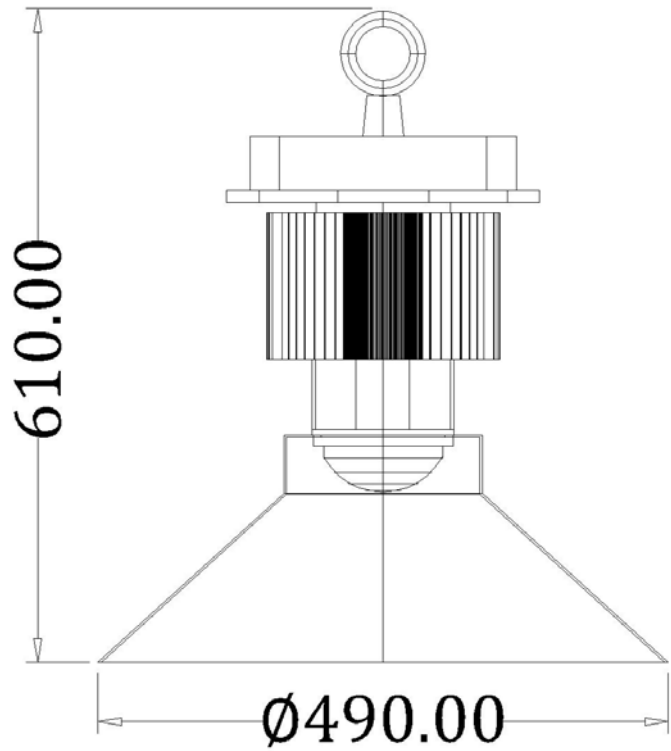
Wattage 60W
 Voltage 100-277V
 Power Factor 50/60Hz
 >0.95

Temperature

Operating Temp. -40(min), 45(max)C
 Storage -40(min), 80(max)C

Pieces Per Pack 1
 Packs Per Carton 1
 Net Weight Per Piece 5.57Kg

Technical Drawing



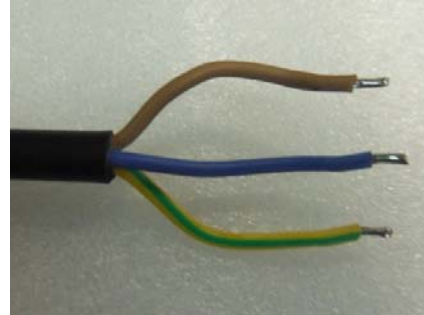
US and Canada Wiring

Black = Live
White = Neutral
Green = Ground



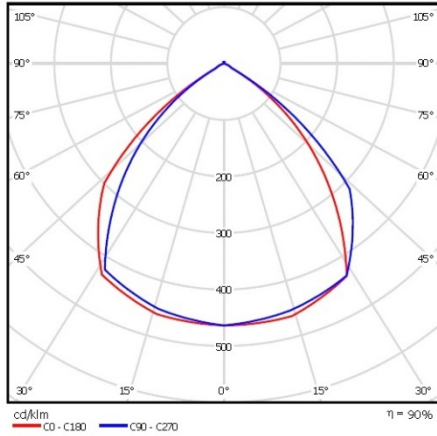
EU Wiring

Brown = Live
Blue = Neutral
Yellow/Green = Ground



CONSULT A QUALIFIED ELECTRICIAN TO ENSURE CORRECT BRANCH CIRCUIT CONDUCTOR S24-L4 10.8.1 10.8.1 (CAN)

UFOLED COB 60 Light Distribution



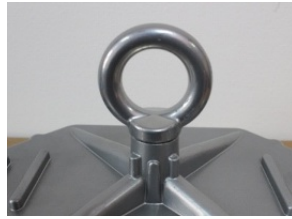
Illuminance at a Distance		
	Center Beam LUX	Beam Width
0.8m	4,018.91 LUX	1.4m 1.4m
1.7m	1,004.73 LUX	2.8m 2.8m
2.5m	446.55 LUX	4.2m 4.3m
3.3m	251.18 LUX	5.5m 5.7m
4.2m	160.76 LUX	6.9m 7.1m
5.0m	111.64 LUX	8.3m 8.5m

■ Vert. Spread: 79.5° ■ Horiz. Spread: 81.0°

Hanging Hook Options



TL=Twist Lock Hook



EB= Eye Bolt

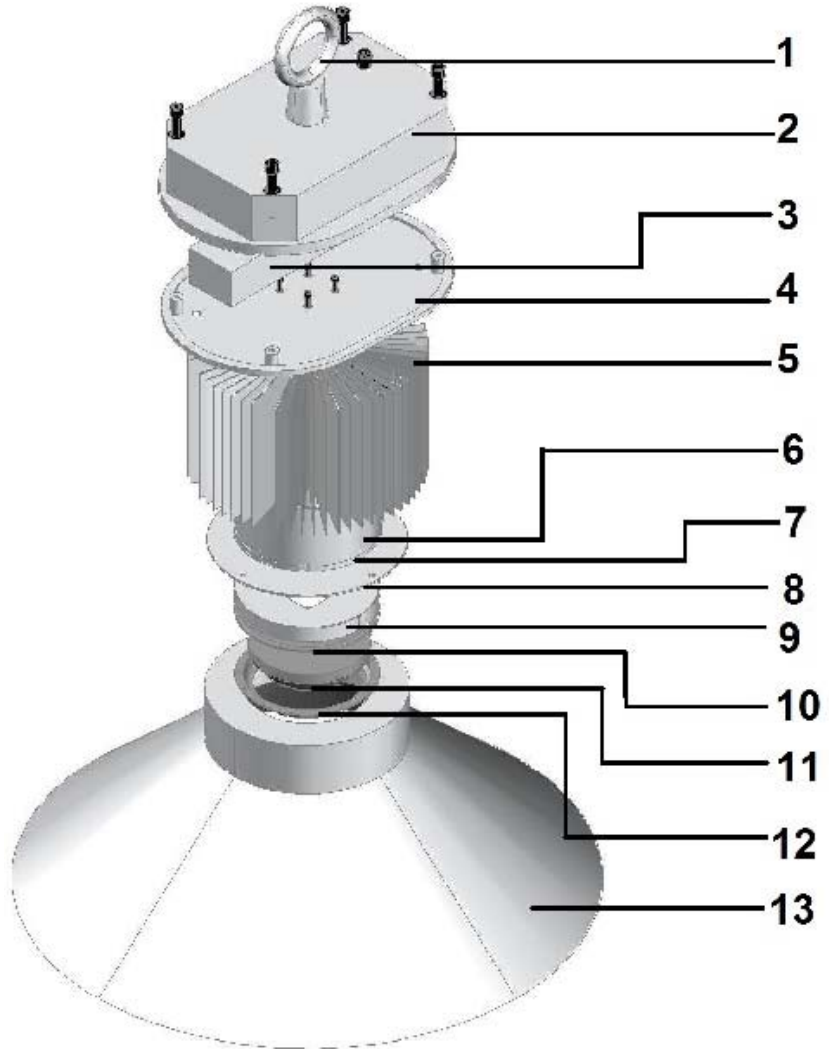


OE=Open Eye Bolt

**THIS PRODUCT MUST BE INSTALLED
IN ACCORDANCE WITH THE APPLICABLE
INSTALLATION CODE BY A PERSON FAMILIAR
WITH THE CONSTRUCTION AND OPERATION
OF THE PRODUCT AND THE HAZARDS
INVOLVED S24-L4 10.8.1 20.5.1**

Assembly Instructions for UFOLED COB 60

Assembly Drawing



1- Eye Bolt	6- Air Filter Ring	11- Glass Lens
2- Head PSU Compartment	7- COB LED	12- Glass Lens O-Ring
3- PSU	8- Dome Base Plate	13- Aluminum Dome
4- Head PSU Cover	9- Glass Lens Base Plate	
5- Heatsink	10- Glass Lens Rubber	



Repair and Assembly Instructions

Your lamps are covered by factory warranty for 3 years from the date of manufacturing. If you are confident and instructed by the manufacturer's rep and if necessary to open the lamp for repair please follow the instructions below.

1. First thing is to screw the M8 cable gland on the Heatsink located at the PCB board plate.
2. On the Head PSU Cover, put the M12 cable gland.
3. Using the four pieces M5 allen key bolt, connect the Head PSU Cover to the Heatsink, and prepare the DC cable wire and insert them on the cable gland on the Heatsink and the Head PSU Cover.
4. Now, on the Head PSU compartment, the M12 cable gland should fix first for AC cable to come out.
5. On the Head PSU Compartment, we need four pieces M4x8mm bolt to tighten the PSU.
6. On the PCB plate on the Heat sink, the COB LED should be place using two pieces M3 bolts to tighten it with the use of Tyco's scalable LED connector. But before putting it, we need to put thermal glue on the back surface and spread the glue uniformly.
7. Now solder the DC wire into the COB LED board positive is for the red wire and black for the negative wire.
8. Next is to connect the DC wire from the PSU to the DC wire from the COB LED board, after all the wire connected correctly we need to test if the LED's are lighting up, so we need to plug the AC cable from the PSU into an AC outlet.
9. After the test is done, insert the air filter ring into neck of the heatsink, then fix the dome base plate on the plate of the heatsink. Prepare the Glass lens base, the rubber on the glass lens and the metal O-ring for the lens, fix it with four M3x30mm bolts.
10. Now we need to close the Head PSU Cover and the Head PSU Compartment by using four pieces M6 allen key bolt
11. After the UFOLED COB 60 engine is assembled, we need to fix the aluminum dome into the Dome base plate using four M4x8mm bolt.
12. Lastly we need to screw in the Eye bolts (optional-Twist Lock Hook or Open Eye Bolt).



UFOLED High Bay Series Lights

www.u-tron.com

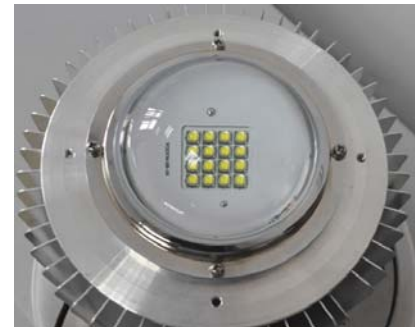


UFOLED 100 SN High Bay





UFOLED 100 SN High Bay



The U-Tron UFOLED SN “Short Neck” series High-Bay lights designed to replace the traditional factory, warehouses and sport arenas High Bay lights using HPS, HID and other decadent technologies. UFOLED light fixtures can fit in the existing same locations and produce the same light intensity and distribution so the customers can easily take the old one out and put in our UFOLED Bay Lights.



UFOLED 100 SN Product Technical Data

General Information

Heat sink 6063-T5 aluminum alloy
 Life Span 50000hr

Light Characteristics

	Warm White	Natural White	Cool White
CCT Deg Kelvin	2700-3000	4000	5000-6000
Total Flux (Lm)	9,000	9,500	10,000
Efficacy (Lm/W)	90	95	100
Beam Angle	45,80,120	45,80 120	45,80,120

Electrical Characteristics

Wattage 100W
 100-277V
 Voltage 50/60Hz
 Power Factor >0.95

Temperature

Operating Temp. -40(min), 45(max)C
 Storage -40(min), 80(max)C

Product Dimensions (Complete Assembly)

Lamp Diameter: 495mm

Lamp Height: 619mm

Ordering Information

Product Name UFOLED 100 SN High Bay
 Product Ordering #

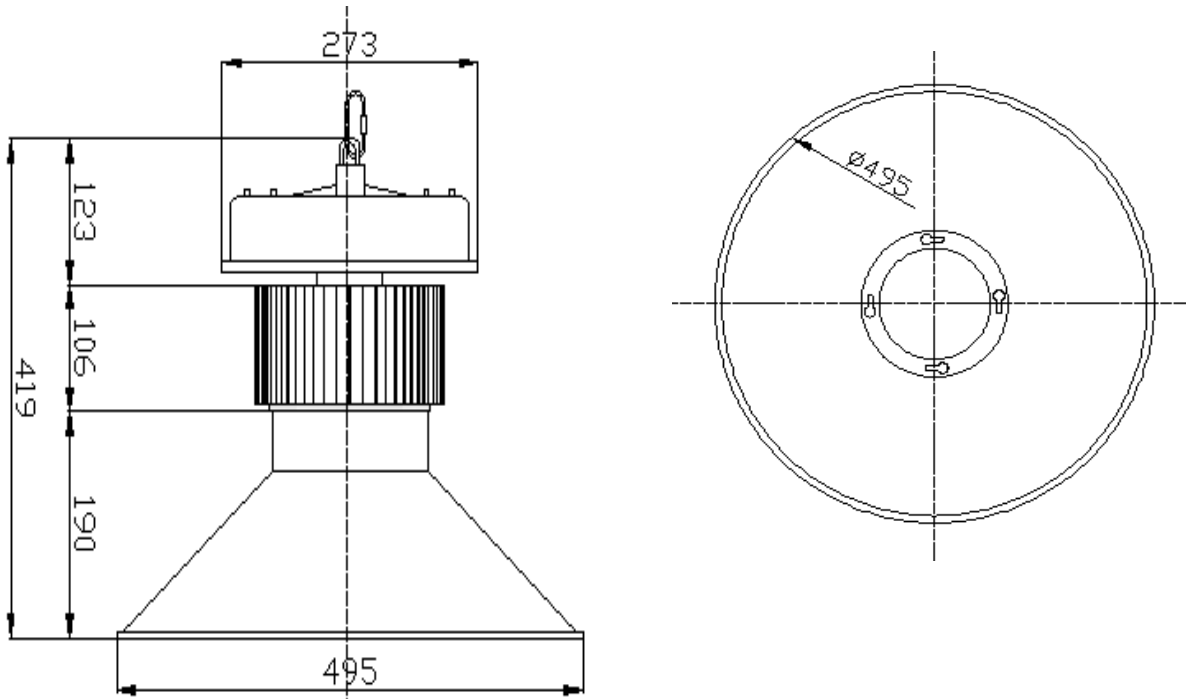
CCT	Product Number
2700-3000K	6880-M16-WQ50100SNUNV-EB
4000K	6880-M16-NR4100SNUNV-EB
5000-6000K	6880-M16-CR5100SNUNV-EB

Pieces Per Pack 1
 Packs Per Carton 1
 Net Weight Per Piece 5.5Kg





Technical Drawing





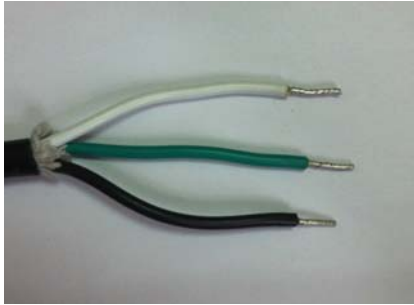
UFOLED High Bay Series Lights

www.u-tron.com



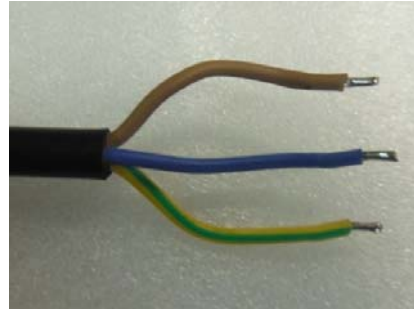
US and Canada Wiring

Black = Live
White = Neutral
Green = Ground



EU Wiring

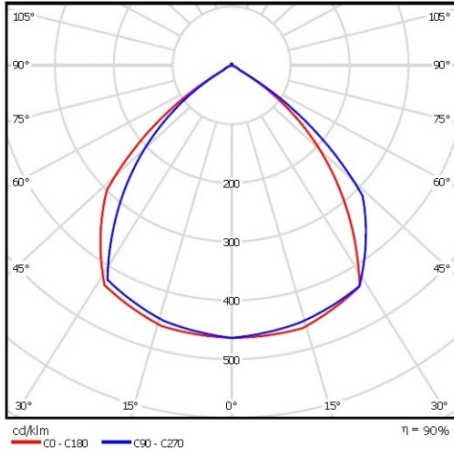
Brown = Live
Blue = Neutral
Yellow/Green = Ground



CONSULT A QUALIFIED ELECTRICIAN TO ENSURE CORRECT BRANCH CIRCUIT CONDUCTOR S24-L4 10.8.1 10.8.1 (CAN)



UFOLED 100 SN Light Distribution



Illuminance at a Distance			
	Center Beam LUX	Beam Width	
1.2m	3,804.35 LUX	2.2m	2.3m
2.3m	951.09 LUX	4.4m	4.6m
3.5m	422.71 LUX	6.6m	6.9m
4.7m	237.77 LUX	8.8m	9.1m
5.8m	152.17 LUX	11.0m	11.4m
7.0m	105.68 LUX	13.3m	13.7m

■ Vert. Spread: 86.9° ■ Horiz. Spread: 88.8°



Hanging Hook Options



TL=Twist Lock Hook



EB= Eye Bolt

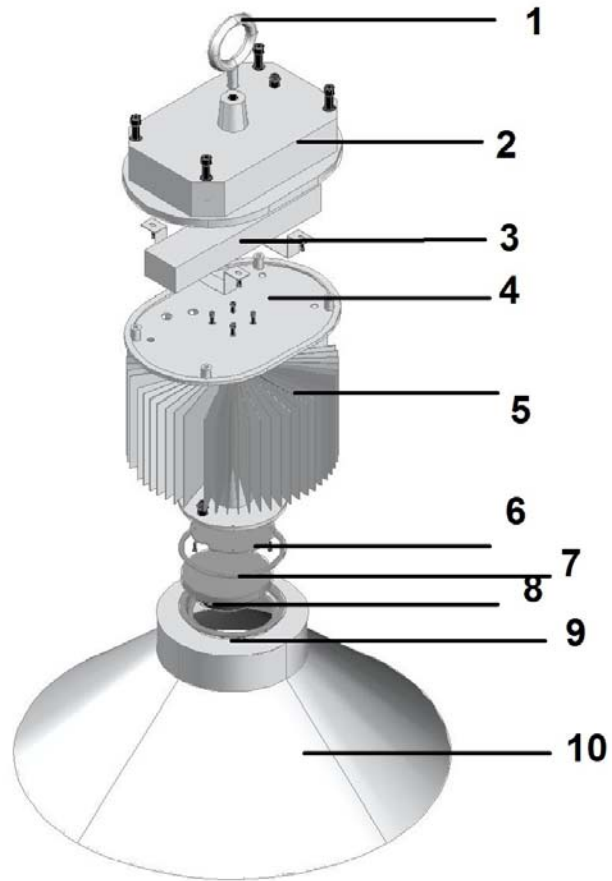


OE=Open Eye Bolt

**THIS PRODUCT MUST BE INSTALLED
IN ACCORDANCE WITH THE APPLICABLE
INSTALLATION CODE BY A PERSON FAMILIAR
WITH THE CONSTRUCTION AND OPERATION
OF THE PRODUCT AND THE HAZARDS
INVOLVED S24-L4 10.8.1 20.5.1**

Assembly Instructions for UFOLED 100 High Bay

Assembly Drawing



1- Eye Bolt	5- Heatsink	9- Glass Lens Holder
2- Head PSU Compartment	6- Optical Sub-assembly LED board	10- Aluminum Dome
3- PSU	7- O-Ring Rubber	
4- Head PSU Cover	8- Glass Lens	



Repair and Assembly Instructions

Your lamps are covered by factory warranty for 3 years from the date of manufacturing. If you are confident and instructed by the manufacturer's rep and if necessary to open the lamp for repair please follow the instructions below.

1. First thing is to screw the M8 cable gland on the Heatsink located at the PCB board plate.
2. On the Head PSU Cover, put the M12 cable gland.
3. Using the four pieces M5 allen key bolt, connect the Head PSU Cover to the Heatsink, and prepare the DC cable wire and insert them on the cable gland on the Heatsink and the Head PSU Cover.
4. Now, on the Head PSU compartment, the M12 cable gland should fix first for AC cable to come out.
5. On the Head PSU Compartment, we need four pieces M4x8mm bolt to tighten the PSU.
6. On the PCB plate on the Heat sink, the Optical Sub-assembly board LED should be place using two pieces M3 bolts to tighten it. But before putting it, we need to put thermal glue on the back surface and spread the glue uniformly.
7. Now solder the DC wire into the COB LED board positive is for the red wire and black for the negative wire.
8. Next is to connect the DC wire from the PSU to the DC wire from the COB LED board, after all the wire connected correctly we need to test if the LED's are lighting up, so we need to plug the AC cable from the PSU into an AC outlet.
9. After the light-up test is done, now we need to close the Head PSU Cover and the Head PSU Compartment by using four pieces M6 allen key bolt
10. After the UFOLED 100 SN Highbay engine is assembled, we need to fix the aluminum dome into the Dome base plate using four M4x8mm bolt.
11. Lastly we need to screw in the Eye bolts (optional-Twist Lock Hook or Open Eye Bolt).



UFOLED High Bay Series Lights

www.u-tron.com

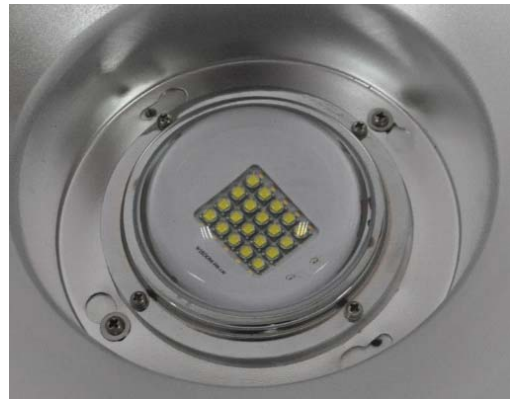


UFOLED 140 LN High Bay





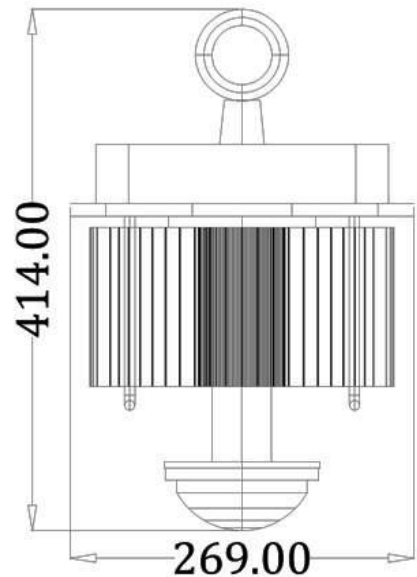
UFOLED 140LN High Bay



The U-Tron UFOLED series High-Bay lights designed to replace the traditional factory, warehouses and sport arenas High Bay lights using HPS, HID and other decadent technologies. UFOLED light fixtures can fit in the existing same locations and produce the same light intensity and distribution so the customers can easily take the old one out and put in our UFOLED Bay Lights.

U-Tron's patented Long Neck (LN) design brings 3 advantages:

- 1) It can provide easy installations for many different domes and not put pressure on the Deon coolers.
 - 2) Provides better air flow.
 - 3) Provides Easy access to the Cable Gland
- UFOLED LN Highbays** can save you up to 70% of your electricity bill starting immediately.





UFOLED 140 LN Product Technical Data

General Information

Heatsink 6063-T5 aluminum alloy
Life Span 50000hr

Product Dimensions (UFO Engine)

Lamp Diameter: 269mm

Lamp Height: 414mm

Product Dimensions (Complete Assembly)

Lamp Diameter: 460mm

Lamp Height: 630mm

Light Characteristics

	Warm White	Natural White	Cool White
CCT Deg Kelvin	2700-3000	4000	5000-6000
Total Flux (Lm)	11,200	11,900	12,600
Efficacy (Lm/W)	80	85	90
Beam Angle	45,80,120	45,80 120	45,80,120

Ordering Information

Product Name UFOLED 140LN High Bay
Product Ordering #

CCT	Product Number
2700-3000K	6880-M20-WQ5140LNUNV-EB
4000K	6880-M20-NR4140LNUNV-EB
5000-6000K	6880-M20-CR5140LNUNV-EB

Electrical Characteristics

Wattage 140W
Voltage/ 100-277V
Frequency 50/60Hz
Power Factor >0.95

Temperature

Operating Temp. -40(min), 45(max)C
Storage -40(min), 80(max)C

Pieces Per Pack 1
Packs Per Carton 1
Net Weight Per Piece 4.87Kg



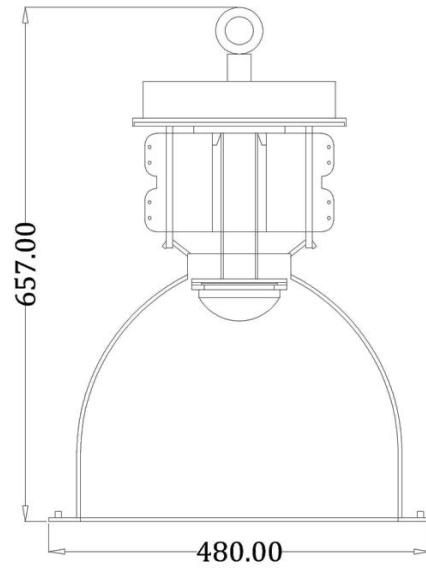


UFOLED High Bay Series Lights

www.u-tron.com



Technical Drawing





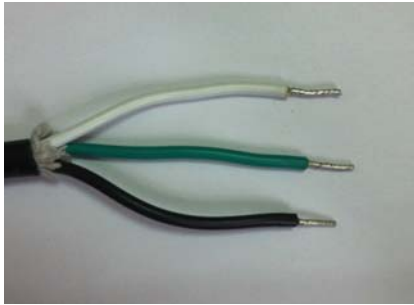
UFOLED High Bay Series Lights

www.u-tron.com



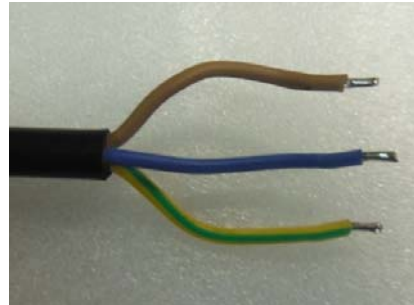
US and Canada Wiring

Black = Live
White = Neutral
Green = Ground



EU Wiring

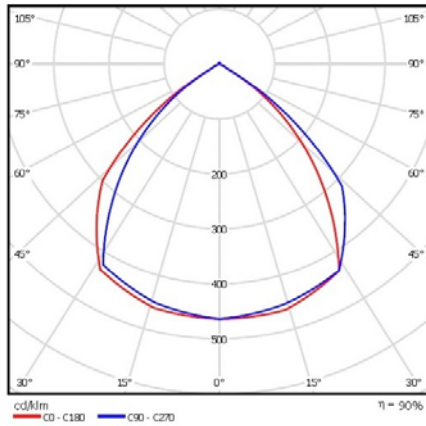
Brown = Live
Blue = Neutral
Yellow/Green = Ground



CONSULT A QUALIFIED ELECTRICIAN TO ENSURE CORRECT BRANCH CIRCUIT CONDUCTOR S24-L4 10.8.1 10.8.1 (CAN)



UFOLED 140 LN Light Distribution



	Illuminance at a Distance	
	Center Beam LUX	Beam Width
1.3m	3,852.03 LUX	2.5m 2.5m
2.7m	963.01 LUX	4.9m 5.0m
4.0m	428.00 LUX	7.4m 7.5m
5.3m	240.75 LUX	9.9m 9.9m
6.7m	154.08 LUX	12.4m 12.4m
8.0m	107.00 LUX	14.8m 14.9m

■ Vert. Spread: 85.7° ■ Horiz. Spread: 85.9°



Hanging Hook Options



TL=Twist Lock Hook

EB= Eye Bolt

OE=Open Eye Bolt

THIS PRODUCT MUST BE INSTALLED IN ACCORDANCE WITH THE APPLICABLE INSTALLATION CODE BY A PERSON FAMILIAR WITH THE CONSTRUCTION AND OPERATION OF THE PRODUCT AND THE HAZARDS INVOLVED S24-L4 10.8.1 20.5.1

CONSULT A QUALIFIED ELECTRICIAN TO ENSURE CORRECT BRANCH CIRCUIT CONDUCTOR S24-L4 10.8.1 10.8.1 (CAN)

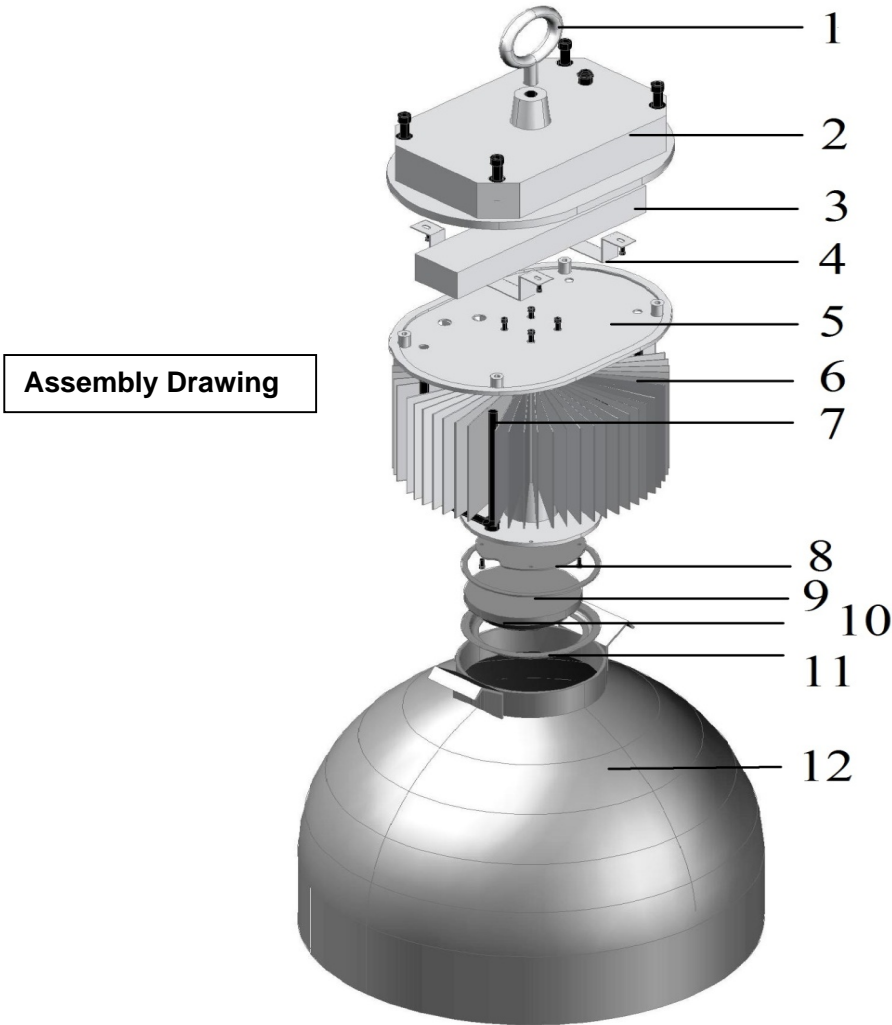
UFOLED LN High Bay also available in other configurations

We bring you the best of LED and give you the flexibility to save and use your existing Lamp Domes. This unit is compatible with the following dome:

Holophane® PRISMPACK® PRISMALUME® Glass Dome with Steel Brackets: Catalogue number MB5A400MH27NE. For other “dome” compatibility please refer our website www.u-tron.com We will post part numbers of other manufactures.

The 2 “U” bolts and the locking clip are already installed on your new UFOLED and ready for assembly with the domes. The locking clip works exactly the same way they are designed for the Holophane Domes with the wire frame.

Assembly Instructions for UFOLED 140 LN



1-Eye Bolt	5- Head PSU Cover	9- O-Ring Rubber
2-Head PSU Compartment	6-Heatsink	10- Glass Lens
3-PSU	7- U-Bolt Holder with Locking Clip	11- Glass Lens Holder
4-PSU Holder	8- Optical Sub-assembly LED board	12- Glass Dome



Preparing your existing lamp.

1. Power off the lamps from your circuit breaker. Test and make sure the electricity is actually cut off on both Live and Neutral cables. You may find several lamps connected in one branch circuit. Remove the glass dome from the existing HID lamp, by releasing the clips (safety latches) on both sides.
2. If necessary use soap water to rinse the glass dome and dry with cloth and set aside safely for later use.
3. Disconnect the electrical wires from the ceiling and dismantle the old lamp. Leave the hook and mains wires intact.
4. We need to use the entire glass dome with the wire frame but nothing from the electrical compartment will be re-used.
5. HID lamps contain Mercury. And Mercury is considered a Hazardous material and please refer to the Department of Energy website for how to dispose the Hg lamps.

Preparing your new UFOLED lamp.

6. Your new UFOLED high-bay lamp comes with “Eye bolt and a C hook”. Please rest the lamp with the lens facing down and resting on the form material supplied in the packing box for protection and screw in the eye bolt. Make sure its resting firmly and reached to the end of the hole. If its loose or needs additional security a bolt can be screwed from the side to locking the eye bolt from unscrewing.
7. Avoid any hard objects touching the lens which can cause permanent damage to the lens which may result in weaker performance.
8. If the C bolt is required please make sure its fastened as shown in the photo. In many cases this C hook will come handy if the ceiling already has a place to hang the lamp.



Attaching your new UFOLED lamp to the Holophane Glass Dome.

9. Put the clean glass dome with the wire frame on the flat surface.
10. Next we need to familiarize with the Push and twist action. **Locate the 2 “ears” where the safety latches are supposed to be in place. Insert the new UFOLED lamp 90 degrees into the dome and when about 3 inches are inside the dome do a 90 degree turn to bring the UFOLED “U” bolts right under the dome’s hook.**
11. This action may cause difficulties if the UFOLEDs “U” bolts are mis-aligned or the latches are not in the centre of the flat side. **Make sure the above problems are corrected by using a crowbar to move it to the centre. This action may need some trial and error.**
12. Move both latches in position to lock the dome from accidental dislocation.
13. If everything is working then remove the Glass Dome from the Engine and install the lamp to the ceiling.
14. Attach the glass dome like you already did after the light is securely hanging.
15. Connect the wires to the mains. If European wires are provided Brown goes to Black which is the Life wire, Blue goes to White which is the neutral and the Green-Yellow goes to the ground.
16. There are several lamps can be connected to the single branch circuit. Or you can just leave the old circuits intact. LED lamps will consume considerably less energy and no need for any new wiring will be required.



Push inside the dome



Twist and Align



and Lock



Installation of standard aluminum domes to the UFOLED.
If your UFOLED was purchased with the U-Tron PC or Aluminum dome please follow the following instructions.

1. Install the lampshade with the fixed screws



There are 4 M6 rods comes with the lamp for installing the aluminum dome. On the rods you will find 2 nuts to fasten the dome firmly.



Insert the dome through the 4 rods and align the holes to fit correctly.



You will need open wrench to tighten the nuts. Keep the dome levelled and balance to receive maximum performance.



Repair and Assembly Instructions

Your lamps are covered by factory warranty for 3 years from the date of manufacturing. If you are confident and instructed by the manufacturer's rep and if necessary to open the lamp for repair please follow the instructions below.

12. First thing is to screw the M12 cable gland on the Heatsink located at the PCB board plate.
13. On the Head PSU Cover, put the M12 cable gland.
14. Using the four pieces M5 allen key bolt, connect the Head PSU Cover to the Heatsink, and prepare the DC cable wire and insert them on the cable gland on the Heatsink and the Head PSU Cover.
15. Fixed the two U-Bolts on the Head PSU Cover using an M8 nut stopper on the bottom and use another M8 nut and washer on the top to tighten it.
16. Now, on the Head PSU compartment, the M12 cable gland should fix first for AC cable to come out.
17. On the Head PSU Compartment, we need to use PSU Holder, to hold it firmly the PSU and use four pieces M3 bolts to tighten it.
18. On the PCB plate on the Heat sink, the optical sub-assembly LED board should be place using four pieces M3 bolts to tighten it. But before putting it, we need to put thermal glue on the back surface and spread the glue uniformly.
19. Now solder the DC wire into the optical sub-assembly LED board positive is for the red wire and black for the negative wire.
20. Next is to connect the DC wire from the PSU to the DC wire from the optical sub-assembly LED board, after all the wire connected correctly we need to test if the LED's are lighting up, so we need to plug the AC cable from the PSU into an AC outlet.
21. After the test is done, put the O-ring rubber first on the optical sub-assembly board followed by the Glass Lens and then the Glass Lens Holder, and then tighten it with the four pieces M3 bolts.
22. Now we need to close the Head PSU Cover and the Head PSU Compartment by using four pieces M6 allen key bolt
23. After the UFOLED 150LN engine is assembled, we need to fix the Glass dome into the U-Bolt holder.
24. Lastly we need to screw in the Eye bolts (optional-Twist Lock Hook or Open Eye Bolt).



UFOLED High Bay Series Lights

www.u-tron.com

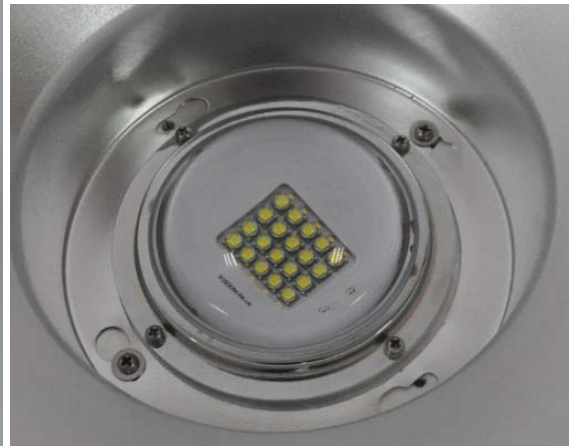


UFOLED 150 SN High Bay





UFOLED 150 SN High Bay



The U-Tron UFOLED SN “Short Neck” series High-Bay lights designed to replace the traditional factory, warehouses and sport arenas High Bay lights using HPS, HID and other decadent technologies. UFOLED light fixtures can fit in the existing same locations and produce the same light intensity and distribution so the customers can easily take the old one out and put in our UFOLED Bay Lights.



UFOLED 150 SN Product Technical Data

General Information

Heat sink 6063-T5 aluminum alloy
 Life Span 50000hr

Product Dimensions (Complete Assembly)

Lamp Diameter: 495mm
 Lamp Height: 459mm

Light Characteristics

	Warm White	Natural White	Cool White
CCT Deg Kelvin	2700-3000	4000	5000-6000
Total Flux (Lm)	12,000	12,750	13,500
Efficacy (Lm/W)	80	85	90
Beam Angle	45,80,120	45,80 120	45,80,120

Ordering Information

Product Name UFOLED 150 SN High Bay
 Product Ordering #

CCT	Product Number
2700-3000K	6880-M20-WQ50150SNUNV-EB
4000K	6880-M20-NR4150SNUNV-EB
5000-6000K	6880-M20-CR5150SNUNV-EB

Electrical Characteristics

Wattage 150W
 100-277V
 Voltage 50/60Hz
 Power Factor >0.95

Temperature

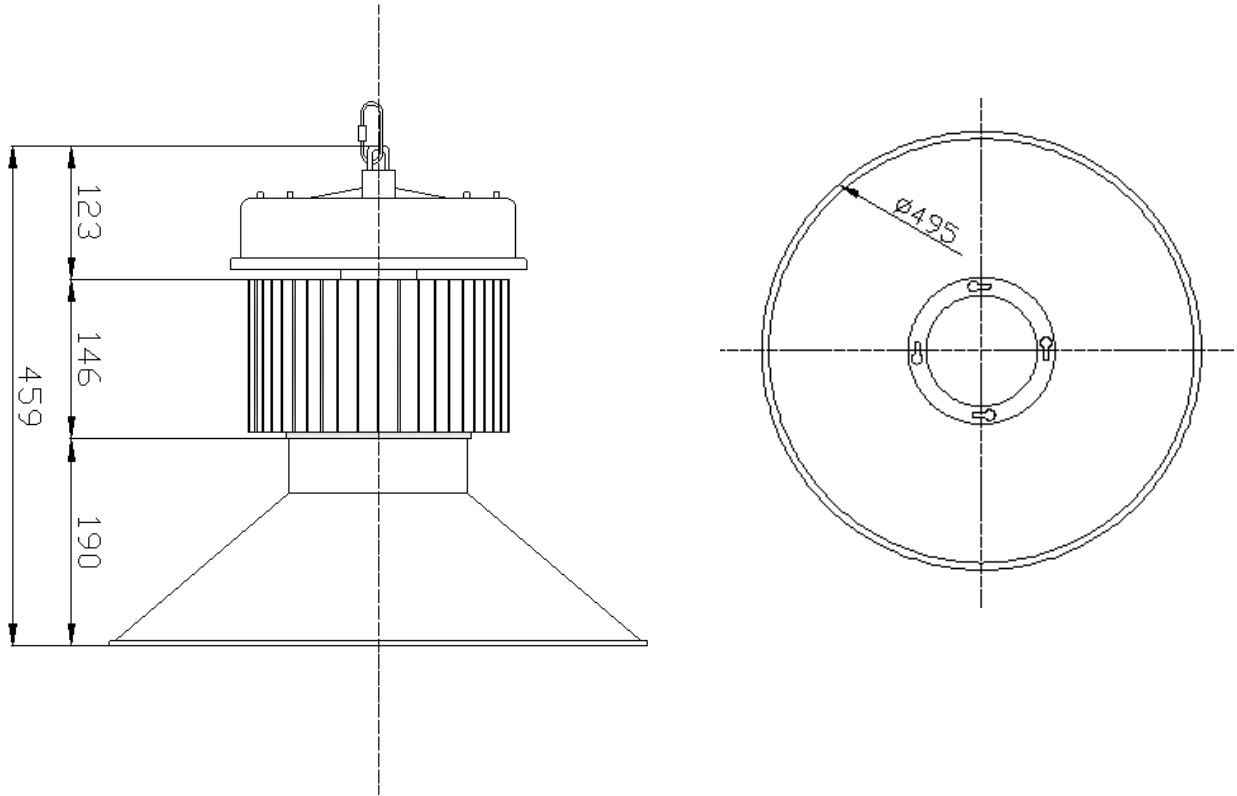
Operating Temp. -40(min), 45(max)C
 Storage -40(min), 80(max)C

Pieces Per Pack 1
 Packs Per Carton 1
 Net Weight Per Piece 6.0Kg





Technical Drawing





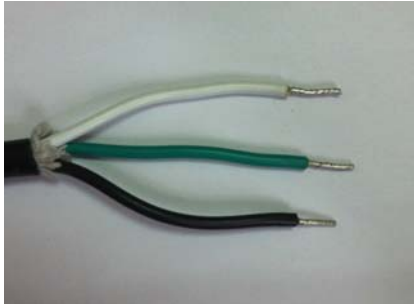
UFOLED High Bay Series Lights

www.u-tron.com



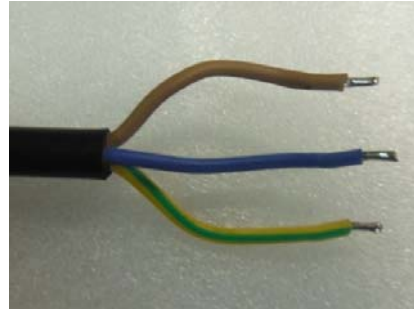
US and Canada Wiring

Black = Live
White = Neutral
Green = Ground



EU Wiring

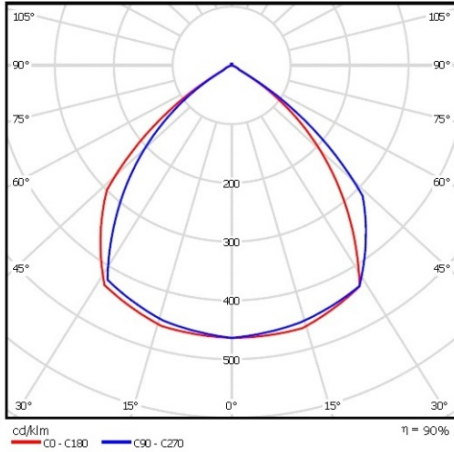
Brown = Live
Blue = Neutral
Yellow/Green = Ground



CONSULT A QUALIFIED ELECTRICIAN TO ENSURE CORRECT BRANCH CIRCUIT CONDUCTOR S24-L4 10.8.1 10.8.1 (CAN)



UFOLED 150 SN Light Distribution



Illuminance at a Distance			
	Center Beam LUX	Beam Width	
1.3m	3,852.03 LUX	2.5m	2.5m
2.7m	963.01 LUX	4.9m	5.0m
4.0m	428.00 LUX	7.4m	7.5m
5.3m	240.75 LUX	9.9m	9.9m
6.7m	154.08 LUX	12.4m	12.4m
8.0m	107.00 LUX	14.8m	14.9m

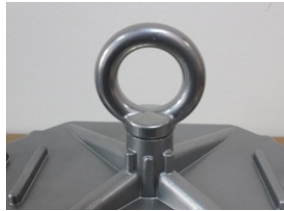
■ Vert. Spread: 85.7° ■ Horiz. Spread: 85.9°



Hanging Hook Options



TL=Twist Lock Hook



EB= Eye Bolt

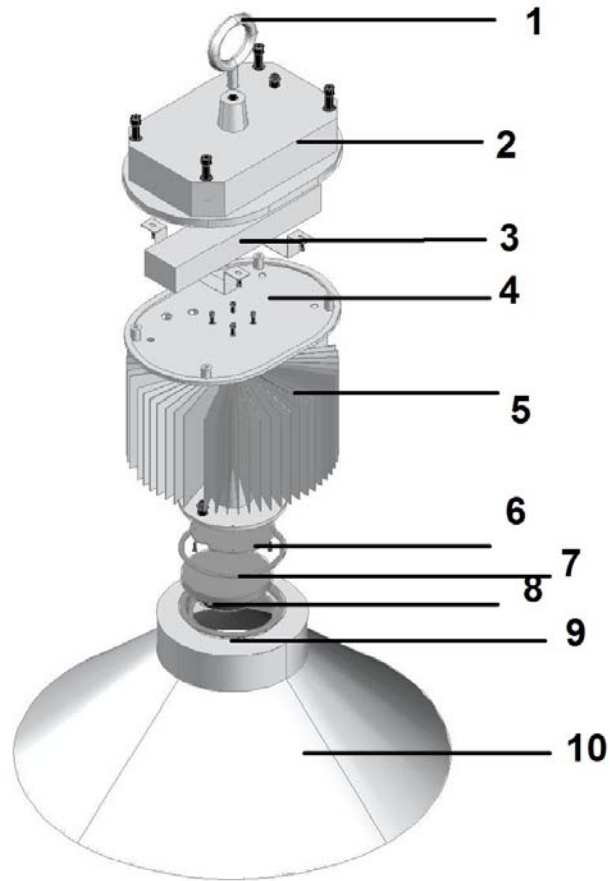


OE=Open Eye Bolt

**THIS PRODUCT MUST BE INSTALLED
IN ACCORDANCE WITH THE APPLICABLE
INSTALLATION CODE BY A PERSON FAMILIAR
WITH THE CONSTRUCTION AND OPERATION
OF THE PRODUCT AND THE HAZARDS
INVOLVED S24-L4 10.8.1 20.5.1**

Assembly Instructions for UFOLED 150 SN High Bay

Assembly Drawing



1- Eye Bolt	5- Heatsink	9- Glass Lens Holder
2- Head PSU Compartment	6- Optical Sub-assembly LED board	10- Aluminum Dome
3- PSU	7- O-Ring Rubber	
4- Head PSU Cover	8- Glass Lens	



Repair and Assembly Instructions

Your lamps are covered by factory warranty for 3 years from the date of manufacturing. If you are confident and instructed by the manufacturer's rep and if necessary to open the lamp for repair please follow the instructions below.

1. First thing is to screw the M8 cable gland on the Heatsink located at the PCB board plate.
2. On the Head PSU Cover, put the M12 cable gland.
3. Using the four pieces M5 allen key bolt, connect the Head PSU Cover to the Heatsink, and prepare the DC cable wire and insert them on the cable gland on the Heatsink and the Head PSU Cover.
4. Now, on the Head PSU compartment, the M12 cable gland should fix first for AC cable to come out.
5. On the Head PSU Compartment, we need four pieces M4x8mm bolt to tighten the PSU.
6. On the PCB plate on the Heat sink, the Optical Sub-assembly board LED should be place using two pieces M3 bolts to tighten it. But before putting it, we need to put thermal glue on the back surface and spread the glue uniformly.
7. Now solder the DC wire into the COB LED board positive is for the red wire and black for the negative wire.
8. Next is to connect the DC wire from the PSU to the DC wire from the COB LED board, after all the wire connected correctly we need to test if the LED's are lighting up, so we need to plug the AC cable from the PSU into an AC outlet.
9. After the light-up test is done, now we need to close the Head PSU Cover and the Head PSU Compartment by using four pieces M6 allen key bolt
10. After the UFOLED 200 SN Highbay engine is assembled, we need to fix the aluminum dome into the Dome base plate using four M4x8mm bolt.
11. Lastly we need to screw in the Eye bolts (optional-Twist Lock Hook or Open Eye Bolt).



UFOLED High Bay Series Lights

www.u-tron.com

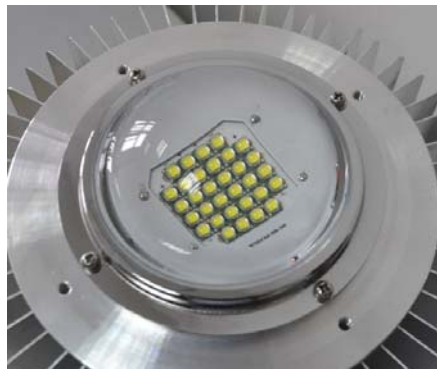


UFOLED 200 SN High Bay





UFOLED 200 SN High Bay



The U-Tron UFOLED SN “Short Neck” series High-Bay lights designed to replace the traditional factory, warehouses and sport arenas High Bay lights using HPS, HID and other decadent technologies. UFOLED light fixtures can fit in the existing same locations and produce the same light intensity and distribution so the customers can easily take the old one out and put in our UFOLED Bay Lights.



UFOLED 200 SN Product Technical Data

General Information

Heat sink 6063-T5 aluminum alloy
 Life Span 50000hr

Product Dimensions (Complete Assembly)

Lamp Diameter: 495mm
 Lamp Height: 539mm

Light Characteristics

	Warm White	Natural White	Cool White
CCT Deg Kelvin	2700-3000	4000	5000-6000
Total Flux (Lm)	16,000	17,000	18,000
Efficacy (Lm/W)	80	85	90
Beam Angle	45,80,120	45,80 120	45,80,120

Ordering Information

Product Name UFOLED 200 SN High Bay
 Product Ordering #

CCT	Product Number
2700-3000K	6880-M32-WQ5200SNUNV-EB
4000K	6880-M32-NR4200SNUNV-EB
5000-6000K	6880-M32-CR5200SNUNV-EB

Electrical Characteristics

Wattage 200W
 100-277V
 Voltage 50/60Hz
 Power Factor >0.95

Temperature

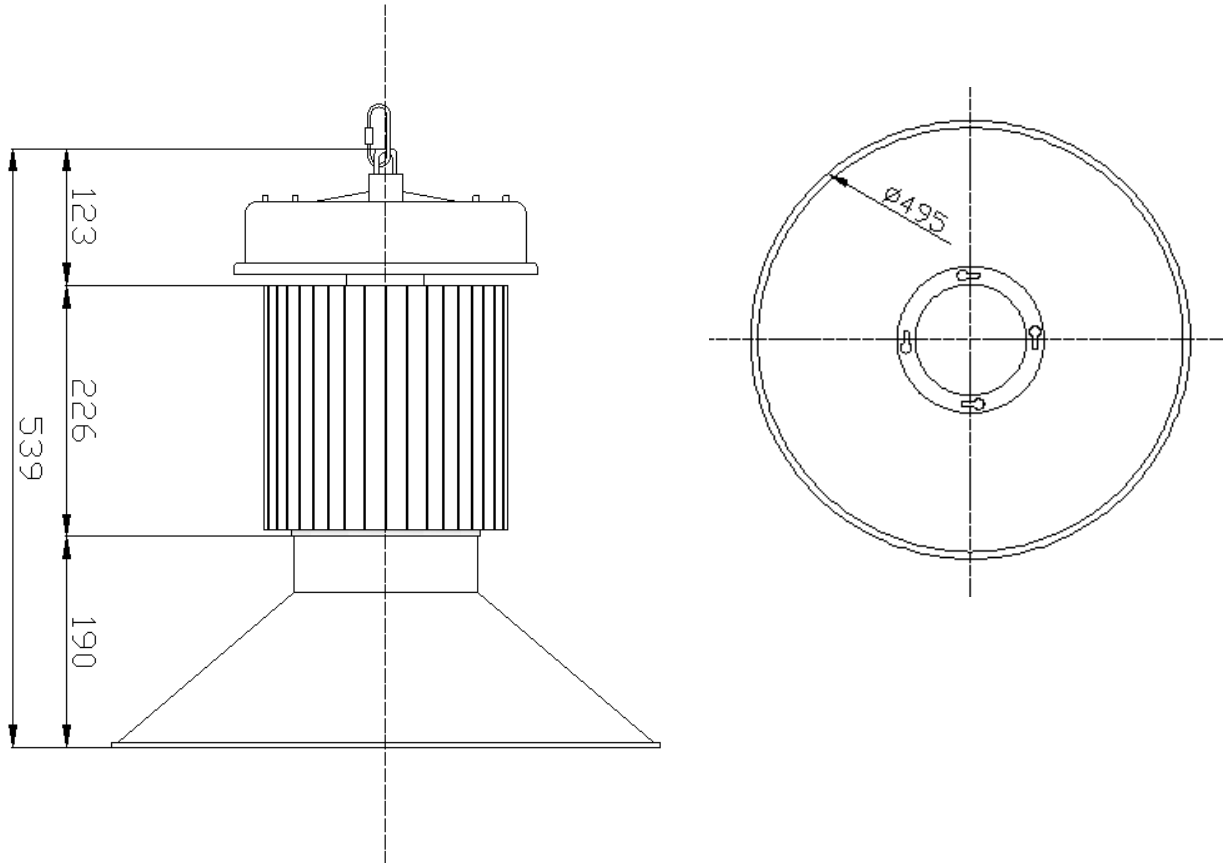
Operating Temp. -40(min), 45(max)C
 Storage -40(min), 80(max)C

Pieces Per Pack 1
 Packs Per Carton 1
 Net Weight Per Piece 8.0Kg





Technical Drawing





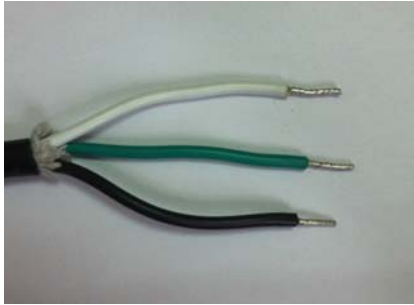
UFOLED High Bay Series Lights

www.u-tron.com



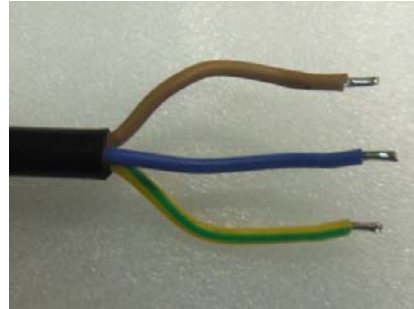
US and Canada Wiring

Black = Live
White = Neutral
Green = Ground



EU Wiring

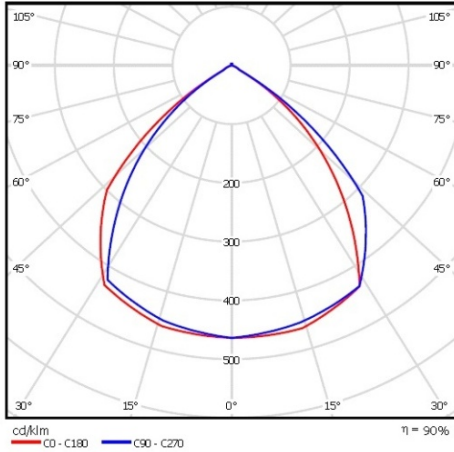
Brown = Live
Blue = Neutral
Yellow/Green = Ground



CONSULT A QUALIFIED ELECTRICIAN TO ENSURE CORRECT BRANCH CIRCUIT CONDUCTOR S24-L4 10.8.1 10.8.1 (CAN)



UFOLED 200 SN Light Distribution



Illuminance at a Distance			
	Center Beam LUX	Beam Width	
1.7m	3,731.65 LUX	3.1m	3.1m
3.3m	932.91 LUX	6.2m	6.2m
5.0m	414.63 LUX	9.2m	9.2m
6.7m	233.23 LUX	12.3m	12.3m
8.3m	149.27 LUX	15.4m	15.4m
10.0m	103.66 LUX	18.5m	18.5m

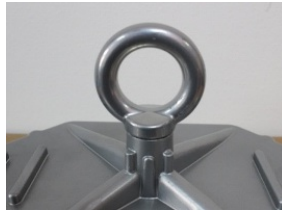
■ Vert. Spread: 85.4° ■ Horiz. Spread: 85.5°



Hanging Hook Options



TL=Twist Lock Hook



EB= Eye Bolt

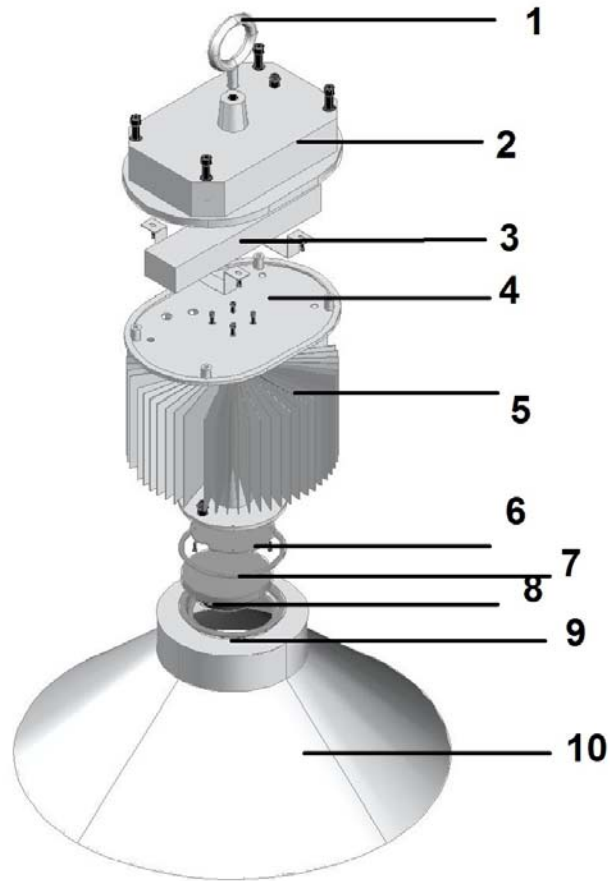


OE=Open Eye Bolt

**THIS PRODUCT MUST BE INSTALLED
IN ACCORDANCE WITH THE APPLICABLE
INSTALLATION CODE BY A PERSON FAMILIAR
WITH THE CONSTRUCTION AND OPERATION
OF THE PRODUCT AND THE HAZARDS
INVOLVED S24-L4 10.8.1 20.5.1**

Assembly Instructions for UFOLED 100 High Bay

Assembly Drawing



1- Eye Bolt	5- Heatsink	9- Glass Lens Holder
2- Head PSU Compartment	6- Optical Sub-assembly LED board	10- Aluminum Dome
3- PSU	7- O-Ring Rubber	
4- Head PSU Cover	8- Glass Lens	



Repair and Assembly Instructions

Your lamps are covered by factory warranty for 3 years from the date of manufacturing. If you are confident and instructed by the manufacturer's rep and if necessary to open the lamp for repair please follow the instructions below.

1. First thing is to screw the M8 cable gland on the Heatsink located at the PCB board plate.
2. On the Head PSU Cover, put the M12 cable gland.
3. Using the four pieces M5 allen key bolt, connect the Head PSU Cover to the Heatsink, and prepare the DC cable wire and insert them on the cable gland on the Heatsink and the Head PSU Cover.
4. Now, on the Head PSU compartment, the M12 cable gland should fix first for AC cable to come out.
5. On the Head PSU Compartment, we need four pieces M4x8mm bolt to tighten the PSU.
6. On the PCB plate on the Heat sink, the Optical Sub-assembly board LED should be place using two pieces M3 bolts to tighten it. But before putting it, we need to put thermal glue on the back surface and spread the glue uniformly.
7. Now solder the DC wire into the COB LED board positive is for the red wire and black for the negative wire.
8. Next is to connect the DC wire from the PSU to the DC wire from the COB LED board, after all the wire connected correctly we need to test if the LED's are lighting up, so we need to plug the AC cable from the PSU into an AC outlet.
9. After the light-up test is done, now we need to close the Head PSU Cover and the Head PSU Compartment by using four pieces M6 allen key bolt
10. After the UFOLED 150 SN Highbay engine is assembled, we need to fix the aluminum dome into the Dome base plate using four M4x8mm bolt.
11. Lastly we need to screw in the Eye bolts (optional-Twist Lock Hook or Open Eye Bolt).



UFOLED High Bay Series Lights

www.u-tron.com

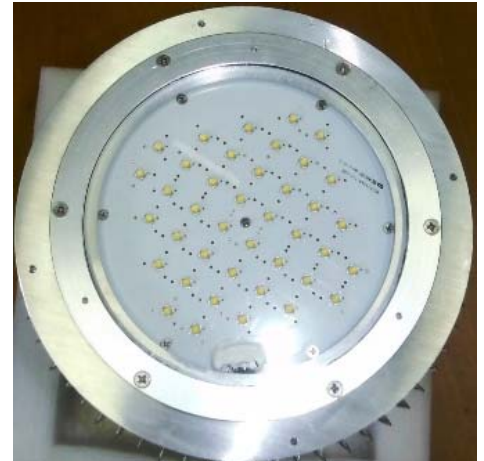


UFOLED 300 LN High Bays





UFOLED 300 LN High Bay

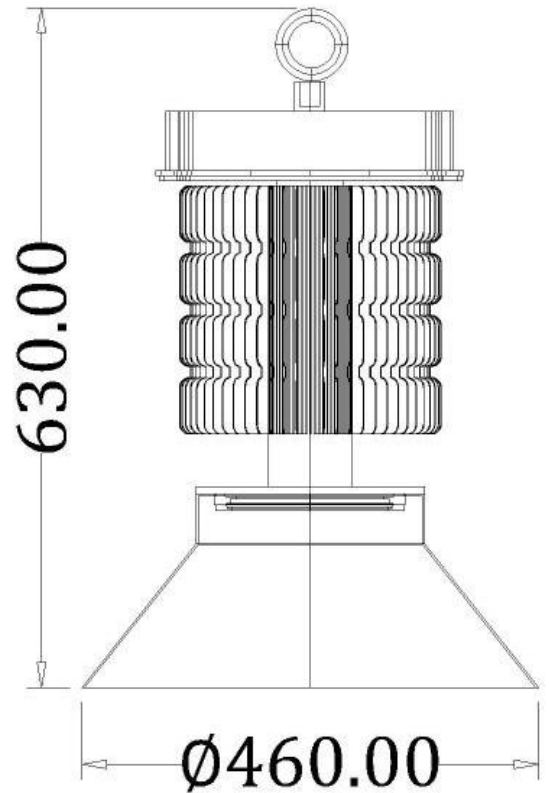


The U-Tron UFOLED series High-Bay lights designed to replace the traditional factory, warehouses and sport arenas High Bay lights using HPS, HID and other decadent technologies. UFOLED light fixtures can fit in the existing same locations and produce the same light intensity and distribution so the customers can easily take the old one out and put in our UFOLED Bay Lights.

U-Tron's patented Long Neck (LN) design brings 3 advantages:

- 1) It can provide easy installations for many different domes and not put pressure on the Deon coolers.
- 2) Provides better air flow.
- 3) Provides Easy access to the Cable Gland.

UFOLED LN Highbays can save you up to 70% of your electricity bill starting immediately.





UFOLED 300 LN Product Technical Data

General Information

Heat sink 6063-T5 aluminum alloy
 Life Span 50000hr

Product Dimensions (Complete Assembly)

Lamp Diameter: 460mm

Lamp Height: 630mm

Light Characteristics

	Warm White	Natural White	Cool White
CCT Deg Kelvin	2700-3000	4000	5000-6000
Total Flux (Lm)	24,000	25,500	27,000
Efficacy (Lm/W)	80	85	90
Beam Angle	45,80,120	45,80,120	45,80,120

Ordering Information

Product Name UFOLED 300 High Bay
 Product Ordering #

CCT	Product Number
2700-3000K	6880-M40-WQ5300LNUNV-EB
4000K	6880-M40-NR4300LNUNV-EB
5000-6000K	6880-M40-CR5300LNUNV-EB

Electrical Characteristics

Wattage 300W
 100-277V
 Voltage 50/60Hz
 Power Factor >0.95

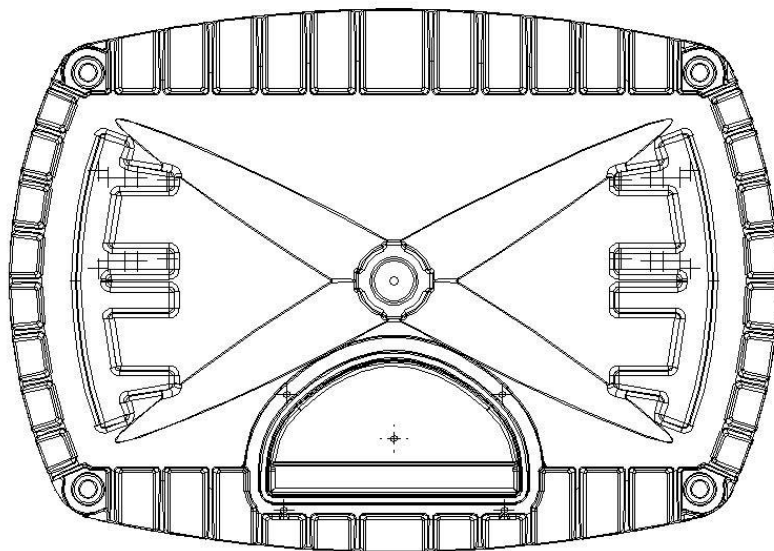
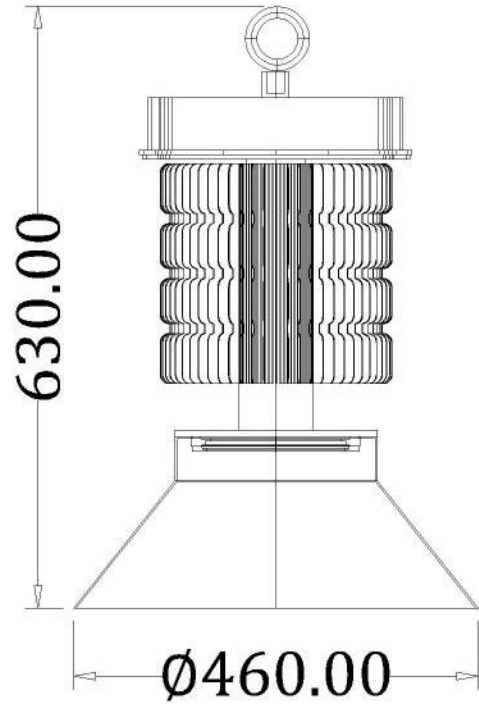
Temperature

Operating Temp. -40(min), 45(max)C
 Storage -40(min), 80(max)C

Pieces Per Pack 1
 Packs Per Carton 1
 Net Weight Per Piece 9.88Kg



Technical Drawing





Wiring Instructions

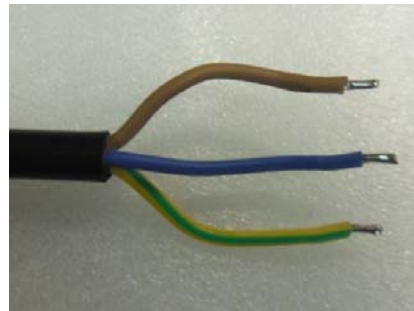
US and Canada

Black = Live
White = Neutral
Green = Ground

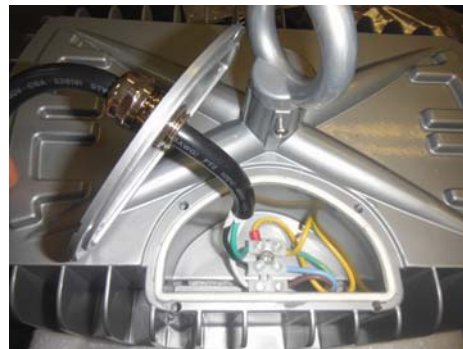


EU and Asia

Brown = Live
Blue = Neutral
Yellow/Green = Ground



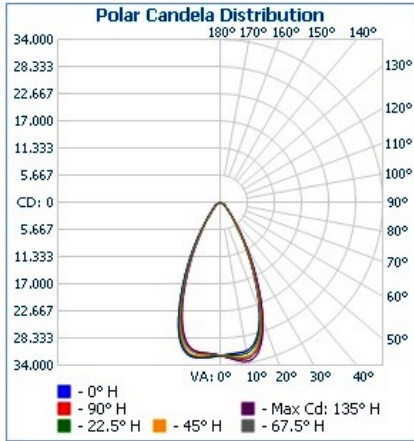
The Unit is supplied with a 1 meter AWG 16 Cable for easy installation. If required you can open the box and remove this cable and wire directly to the mains.



The Internal cables are wired with EU standard and please pay attention when connecting the US cables.

CONSULT A QUALIFIED ELECTRICIAN TO ENSURE CORRECT BRANCH CIRCUIT CONDUCTOR S24-L4 10.8.1 10.8.1 (CAN)

Light Distribution



Illuminance at a Distance		
	Center Beam LUX	Beam Width
1.7m	11,509.97 LUX	1.5m 1.5m
3.3m	2,877.49 LUX	3.0m 3.0m
5.0m	1,278.89 LUX	4.6m 4.5m
6.7m	719.37 LUX	6.1m 6.1m
8.3m	460.40 LUX	7.6m 7.6m
10.0m	319.72 LUX	9.1m 9.1m

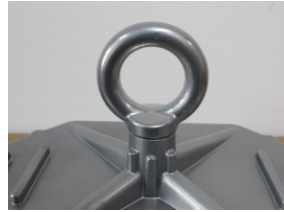
■ Vert. Spread: 49.0° ■ Horiz. Spread: 48.9°



Hanging Hook Options



TL=Twist Lock Hook



EB= Eye Bolt



OE=Open Eye Bolt

THIS PRODUCT MUST BE INSTALLED IN ACCORDANCE WITH THE APPLICABLE INSTALLATION CODE BY A PERSON FAMILIAR WITH THE CONSTRUCTION AND OPERATION OF THE PRODUCT AND THE HAZARDS INVOLVED S24-L4 10.8.1 20.5.1

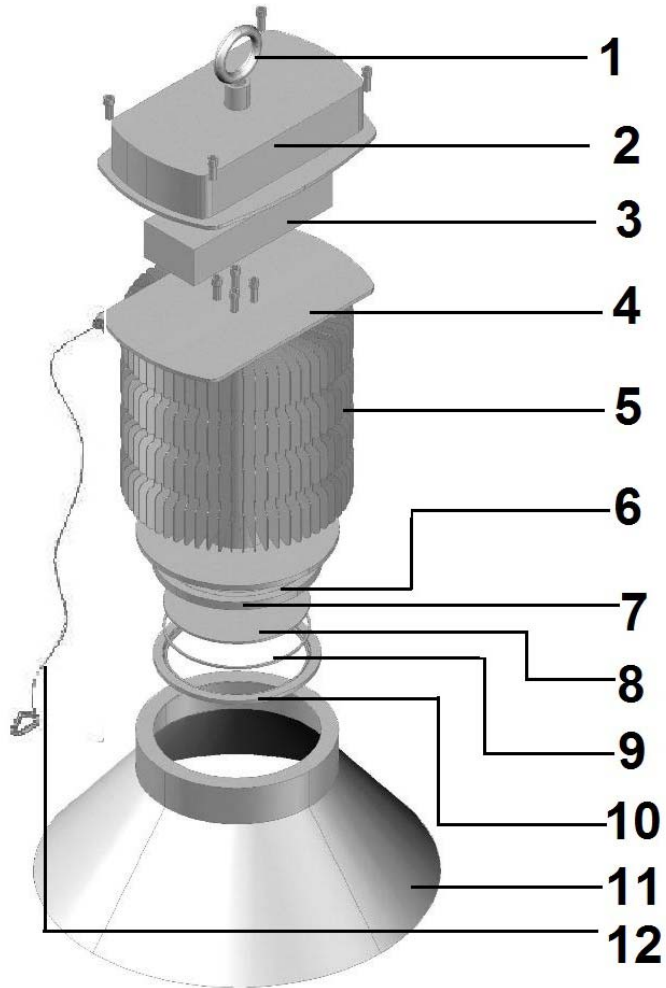
CONSULT A QUALIFIED ELECTRICIAN TO ENSURE CORRECT BRANCH CIRCUIT CONDUCTOR S24-L4 10.8.1 10.8.1 (CAN)



Safety wire must be installed properly, it's another safety measurement to hold the light if there are unexpected occurrence like earthquake, storm, etc..

Assembly Instructions for UFOLED 300

Assembly Drawing



1- Eye Bolt	5- Heatsink	9- O-Ring Rubber
2- Head PSU Cover	6- PCB	10- Metal O-Ring Bottom
3- PSU	7- Metal O-Ring Top	11- Aluminum Dome
4- PSU Compartment	8- Glass Lens	12- Safety Wire



Installation of aluminum domes to the UFOLED.

If your UFOLED was purchased with the U-Tron PC or Aluminum dome please follow the following instructions.

- 2. Install the lampshade with the fixed screws



- 3. Install the eye-bolt and fix the screw



- 4. Using a chain or any metal that can hold the lamp onto the eye-bolt. Or use the supplied "C" bolt.



- 5. Connect the cable from the lamp to an AC outlet.

Brown=Live

Blue= Neutral

Yellow Green=Ground





Repair and Assembly Instructions

Your lamps are covered by factory warranty for 3 years from the date of manufacturing. IF you are confident and instructed by the manufactures rep and if necessary to open the lamp for repair please follow the instructions bellow.

12. First thing is to screw the M12 cable gland on the Heatsink located at the PCB board plate.
13. On the Head PSU Cover, put the M12 cable gland.
14. Using the four pieces M5 allen key bolt, connect the Head PSU Cover to the Heatsink, and prepare the DC cable wire and insert them on the cable gland on the Heatsink and the Head PSU Cover.
15. Now, on the Head PSU compartment, the M12 cable gland should fix first for AC cable to come out.
16. On the Head PSU Compartment, we need four pieces M4x8mm to tighten the PSU in place
17. On the PCB plate on the Heatsink, the optical sub-assembly LED board should be place using seven pieces M3 bolts to tighten it. But before putting it, we need to put thermal glue on the back surface of the PCB and spread the glue uniformly.
18. Now solder the DC wire into the optical sub-assembly LED board positive is for the red wire and black for the negative wire.
19. Next is to connect the DC wire from the PSU to the DC wire from the optical sub-assembly LED board, after all the wire connected correctly we need to test if the LED's are lighting up, so we need to plug the AC cable from the PSU into an AC outlet.
20. After the test is done, put the Metal O-ring top then the O-Ring rubber followed by the Glass Lens then the Metal -O ring bottom, then tighten it with the four pieces M4 bolts.
21. Now we need to close the Head PSU Cover and the Head PSU Compartment by using four pieces M6 allen key bolt
22. After the UFOLED 300 engine is assembled, we need to fix the aluminum dome into the heatsink pcb base plate using four M4 bolts
23. Lastly we need to screw in the Eye bolts (optional-Twist Lock Hook or Open Eye Bolt). And don't forget to bolt it in the safety wire on one of the four bolts located on the Head PSU compartment.



UFOLED High Bay Series Lights

www.u-tron.com



Ordering Numbers

Sample Number: 6880-M40-CR5300UNV-EB

6880 -	M40 -	CR5	300	UNV -	EB
Lamp Category 6880=UFOLED High Bay					
Number of LED Cree 2nd Generation XMLB COB= 1 pc CXA3050 M20= 20 pcs XMLB M40= 40 pcs XMLB					
Correlated Color Temperature CR5 = 5000K-6000K NR4 = 4000K WQ5 = 2700-3000K					
Wattage 060 = 60 Watts 140 = 140 Watts 300 = 300 Watts					
Voltage UNV = 100-277V					
Accessories for Installation TL=Twist Lock EB= Eye Bolt OE=Open Eye					



Warranty

U-Tron (Beijing) Electronics Co. Ltd., warrants the products listed below for a period of 36 months from the date of shipment to be free from defects in materials or workmanship and to be of the kind and quality designated or specified in the purchase agreement. If any product does not meet the above warranty and the buyer promptly files a warranty claim U-Tron shall do the following:

U-Tron shall provide a 12 months "No Questions Asked" replacement of any faulty units at no charge to the customer. The time limit for exchange shall not exceed 30 days from the time a claim is filed by the buyers. The buyers shall return the faulty units within 30 days of filing the claim. The method of shipping back the faulty units to U-Tron shall be decided at that time by U-Tron and all shipping charges shall be borne by U-Tron.

At the end of the 12 month period U-Tron shall provide additional free extended warranty for another 24 months. During this 24 months time U-Tron shall repair or replace and re-certify every faulty unit reported. Shipping charges for sending the units to U-Tron shall be the responsibility of the Buyers and the shipping charges to return the repaired goods to the buyer shall be borne by U-Tron. The time limit for repairs shall not exceed 60 days.

U-Tron at its own option can elect to provide replacement units at any desired percentage to be warehoused and logged by the buyers for timely service of the extended warranty replacements. When the warranty expires the faulty units and the unused units shall be shipped back to U-Tron unless otherwise stipulated in the contract or purchase agreement. If 90% of the warehoused units are used up or nearing the end of stock, the buyers shall ship back the faulty units to U-Tron. U-Tron shall rotate the spare parts inventory within 60 days of receiving from the buyers.

All warranty claims items shall be shipped to the buyers regardless of the geographical location, by air freight to the nearest airport, and any returning items can be shipped by sea or air freight at the request of U-Tron. If the customer fails to return the said faulty units within the time frame as instructed, it will be considered as sold and U-Tron reserve the rights to bill the customer for its full value.

U-Tron shall not bear any responsibilities with the buyers customer claims or shall not bear any other expenses incurred other than the units cost itself. Customer site de-installation and re-installation of any faulty units shall not be the responsibilities of U-Tron.

The warranties set forth herein shall be voided if the units have been: 1) Repaired or altered by any unauthorized person. 2) Subjected to misuse, negligence or accidents or operated in other than normal operation and use. 3) Connected, installed or modified in a manner not in accordance with U-Tron instructions.

In the USA call: 1 (415) 543-2227

In Canada call: 1 (403) 984-4988